

4. How to Operate

Turn the vacuum cleaner on by pressing the on/off switch located on the lower right side of the cleaner (Fig.4/1).

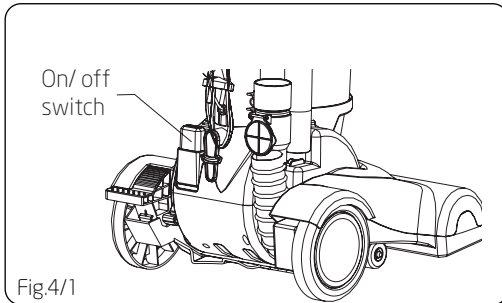


Fig.4/1

The cleaner can be turned off by pressing the on/off switch again.

Adjusting the Angle of the Main Body

To adjust the angle of the vacuum cleaner body, push the release pedal on the lower left side of the cleaner (Fig.4/2). Move the handle to the desired position. (A) for upright position, (B) for normal operation and (C) to clean under furniture (Fig.4/2).

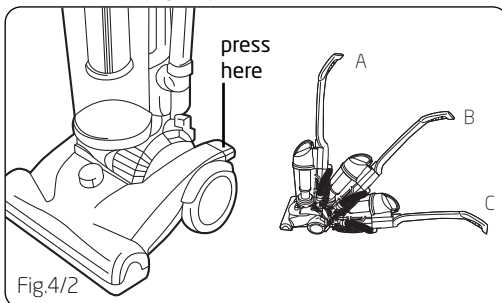


Fig.4/2

Carpet Height Adjuster

The front of the vacuum cleaner has a carpet height adjuster that raises and lowers the brushbar to suit the type of carpet. With the cleaner NOT connected to the electrical outlet, and after handle has been released and leaned back set the adjustment to the lowest setting for maximum cleaning. If the cleaner is difficult to move, push the knob to the next highest setting until the vacuum is comfortable to push. The brushbar must reach the carpet for effective cleaning (Fig.4/3).

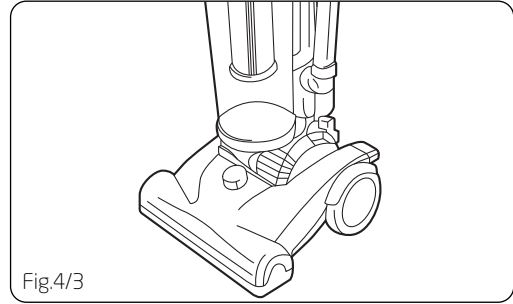


Fig.4/3

⚠ WARNING: This cleaner has a constantly rotating brush bar which, when left in contact with lino, parquet and other hard flooring could potentially cause some damage to the floor surface.

NOTE: Vax recommends that you raise the height of the brush bar when using this cleaner on lino and hard flooring. Vax cannot be held responsible for damage to these surfaces if the customer fails to take notice of this recommendation.

⚠ IMPORTANT: When the vacuum cleaner is stood in the upright position or when using the hose and tools, the carpet height adjuster must be set to the highest position.

⚠ WARNING: To avoid injury, keep loose clothing, hair, fingers and all other parts of the body away from any moving part (such as the brushbar). Turn off the switch and unplug the cleaner before adjusting the cleaner for the carpet height.