

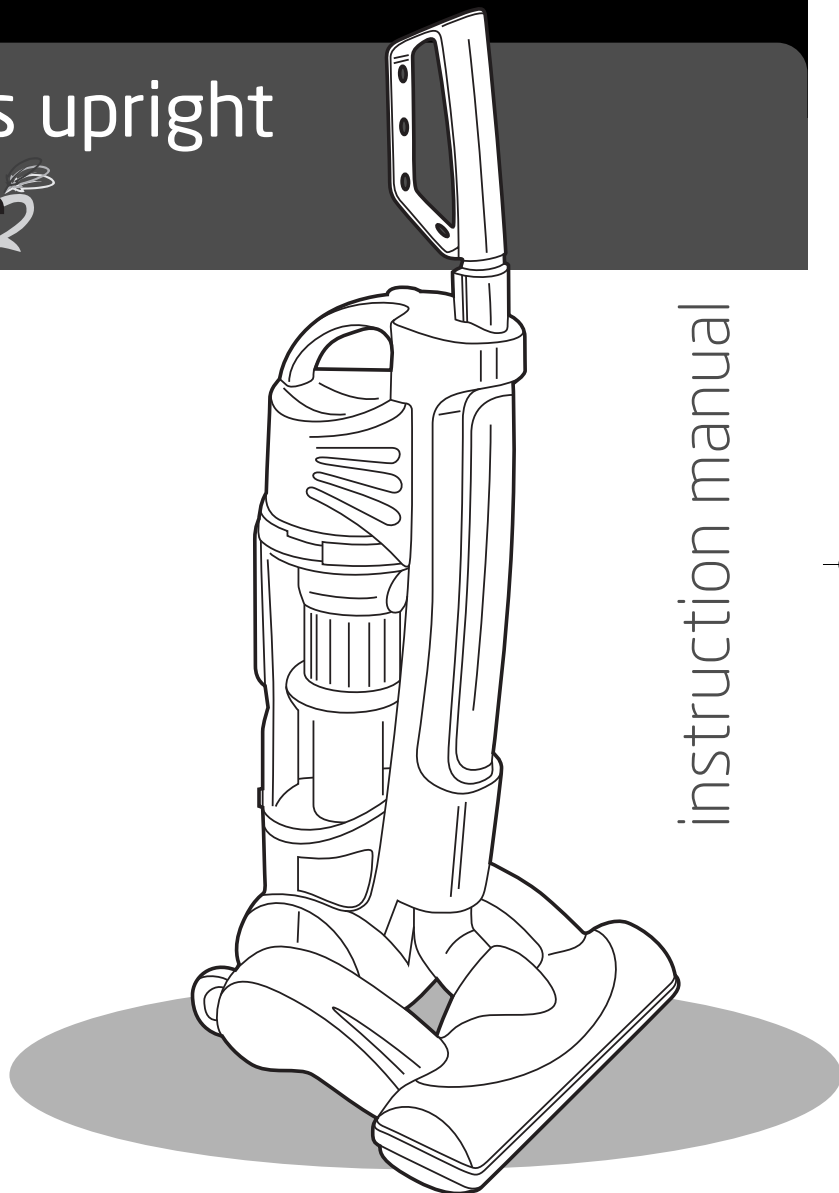


Vax careline
0870 6061248

Bagless upright

quicklite²
Compact

Vax model number:
V-049

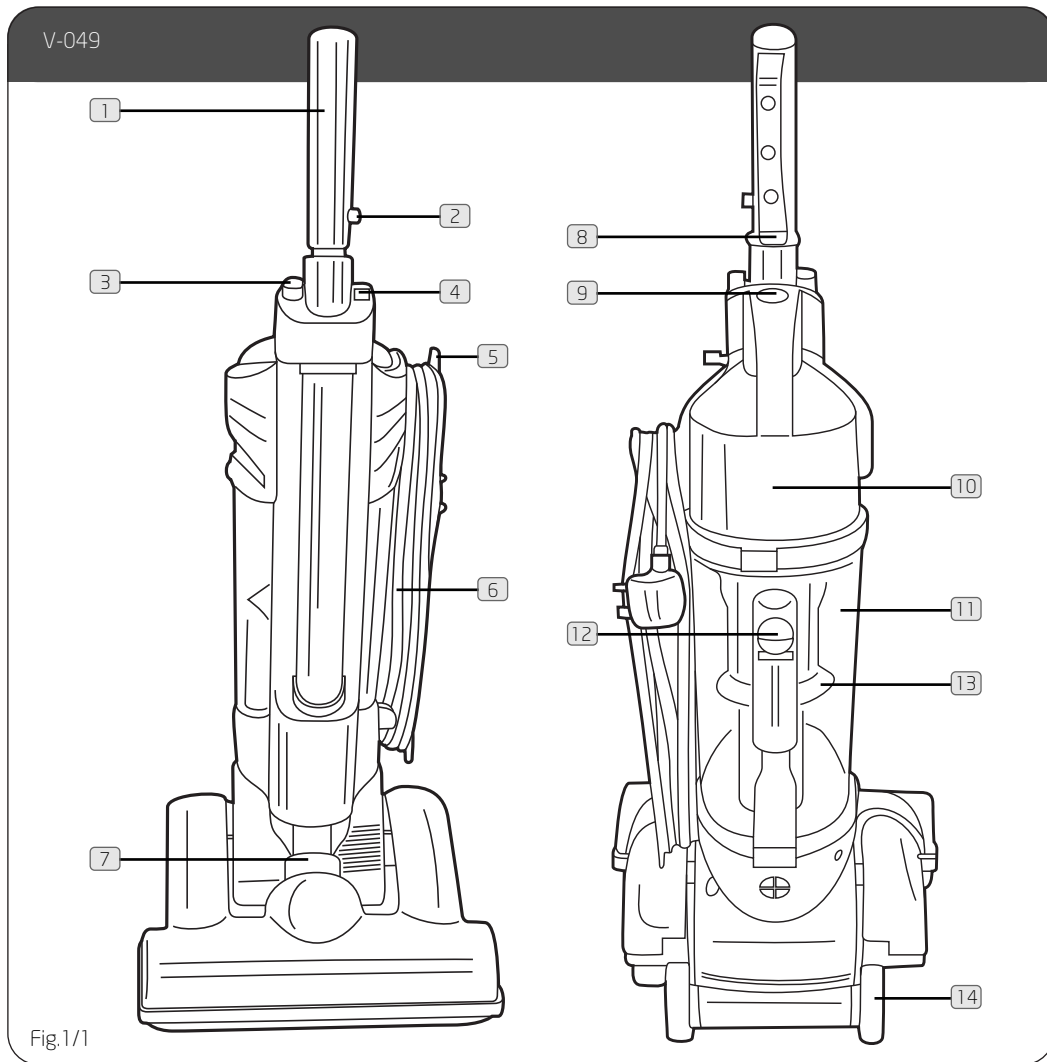


instruction manual

www.vax.co.uk

Please read carefully before using this cleaner.
Always fully extend the mains cable before use.
Retain for future reference.

1. Diagram



- 1 Handle grip
- 2 Cord grip
- 3 Telescopic handle release button
- 4 On/off button
- 5 Upper cord wrap with quick release
- 6 Power cord
- 7 Lower hose / inspection tube

- 8 Telescopic handle
- 9 Dirt container release
- 10 Dirt container lid
- 11 Dirt container
- 12 Dirt quick release button
- 13 Air director
- 14 Wheels

2 parts overview


2. Safety Information


FOR HOUSEHOLD USE ONLY.


When using the vacuum cleaner, basic safety precautions should always be observed, including the following:


1. Only use the vacuum cleaner indoors on dry surfaces.
2. Turn off the vacuum cleaner controls before connecting to or disconnecting from the mains supply.
3. Always unplug the vacuum cleaner before connecting or disconnecting the vacuum hose.
4. Close attention is necessary when used by or near children. Do not allow children to use as a toy.
5. Use only as described in this manual. Use only the manufacturer's recommended attachments.
6. Do not use the vacuum cleaner with a damaged cord or plug. Do not use the vacuum cleaner if it has been dropped, damaged, left outdoors or dropped into water. Return the vacuum cleaner to a Vax Authorised Service Agent or suitably qualified person for examination, repair or adjustment.
Call 0870 6061248 for your nearest service centre.
7. Do not pull or carry by the cord. Do not use the cord as a handle, close a door on the cord or pull the cord around sharp edges or corners. Do not run the vacuum cleaner over the cord. Keep the cord away from heated surfaces.
8. Do not handle the plug or vacuum cleaner with wet hands. Do not use outdoors or on wet surfaces.
9. Do not put any objects into openings. Do not use with any openings blocked and do not restrict air flow. Keep all openings free of dust, lint, hair or anything that may reduce airflow.
10. Keep hair, loose clothing, fingers and all parts of the body away from openings and moving parts.
11. Do not pick up hot coals, cigarette butts, matches or any hot, smoking or burning objects.
12. Do not pick up flammable or combustible materials (lighter fluid, petrol, kerosene, etc) or use in the presence of explosive liquids or vapours.
13. Do not vacuum up harmful or toxic material (chlorine bleach, ammonia, drain cleaner, etc).
14. Do not vacuum up hard or sharp objects such as glass, nails, screws, coins, etc.
15. Do not use without the filters in place.
16. Use extra care when vacuuming on stairs.
17. Keep vacuuming area well lit.
18. Store the vacuum cleaner indoors in a cool, dry area.

19. Turn off the switch before unplugging.
20. Use only CE-approved 13 amp extension cords. Non-approved extension cords may overheat. Care should be taken to arrange the cord so that the cord cannot be pulled or tripped over.

 **WARNING:** Always switch off and unplug the vacuum cleaner from the electrical outlet before assembling, opening or emptying the dirt container, or before connecting/disconnecting the attachments.

 **CAUTION:** The vacuum cleaner is a very powerful unit. Before plugging the cord into the outlet make sure the switch is in the 'off' position. Hold the vacuum cleaner firmly when starting and in use.

 **IMPORTANT:** If the inlet or hose is blocked, switch off the vacuum cleaner and remove the blockage(s) before re-starting the vacuum cleaner.

 **IMPORTANT:** Cleaning filters improves vacuum performance. Make sure all filters are replaced back into the vacuum cleaner before using. Vax recommends cleaning the pre-motor filter every month and the exhaust filter every 9-12 months.

This vacuum cleaner is intended for household use only and not for commercial or industrial use.

PLEASE KEEP THESE INSTRUCTIONS FOR FURTHER USE.

www.vax.co.uk

3. How to Assemble

Insert handle into body of cleaner and push down firmly until handle locks into place with a click (see Fig.3/1).

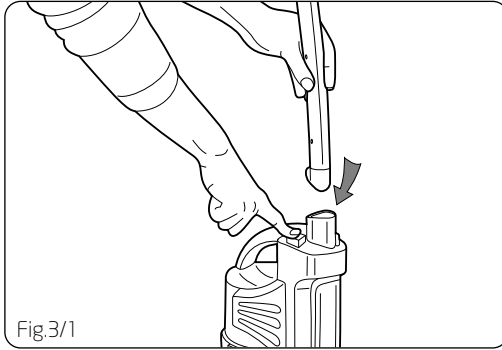


Fig.3/1

To store the cleaner, press the telescopic handle release button on the top of the cleaner and push the handle down (see Fig.3/2).

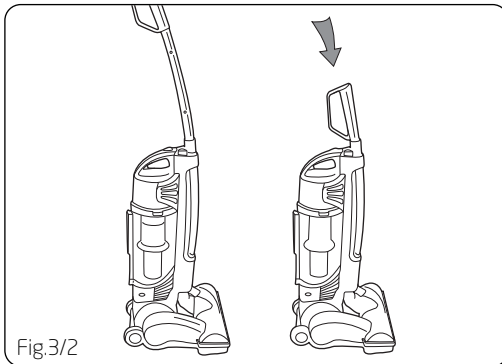


Fig.3/2

To prepare the vacuum for use, press the telescopic handle release button on the top of the cleaner and pull handle up until it locks into place (Fig.3/3).

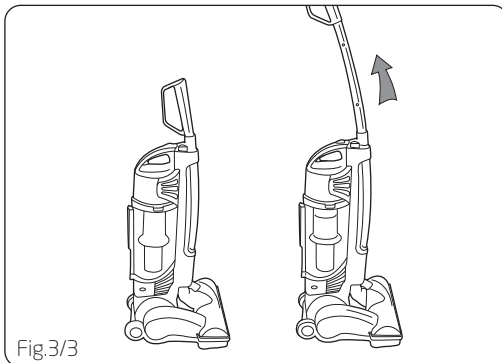


Fig.3/3

4. How to Operate

Turn the quick cord release for easy cord removal. Secure cord in cord clip to keep out of the way while vacuuming (see Fig.4/1).

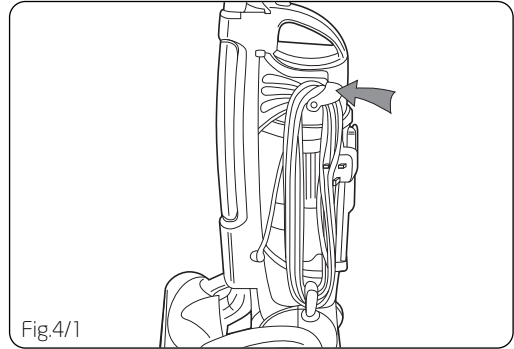


Fig.4/1

Plug cord into electrical outlet. Turn cleaner on by pressing the on/off switch located on the top of the unit (Fig.4/2).

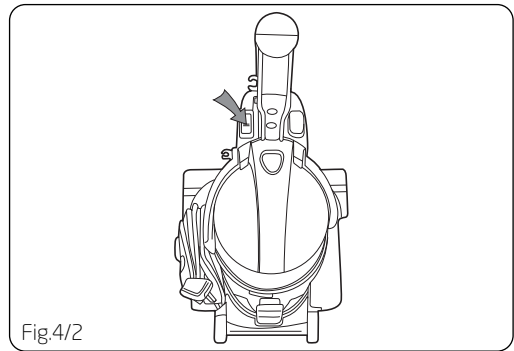


Fig.4/2

To release the handle pull back handle while pressing on the front head (Fig.4/3).

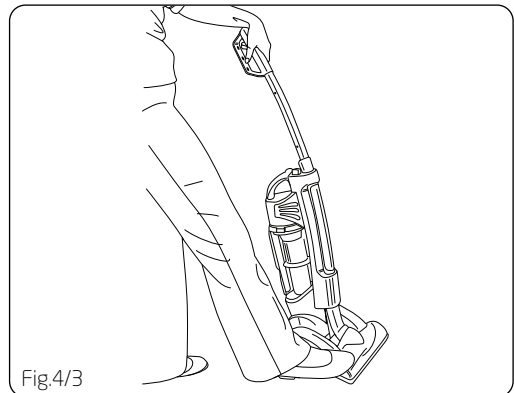


Fig.4/3

The handle height of the cleaner can be adjusted for (a) general operation (b) cleaning underneath furniture (see Fig.4/4).

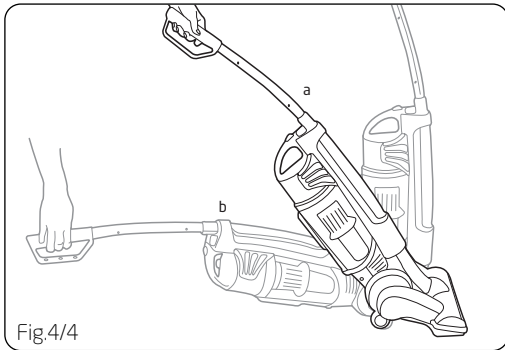


Fig.4/4

Use the carry handle located on the top of the dirt container lid to move the cleaner from room to room (Fig.4/5).

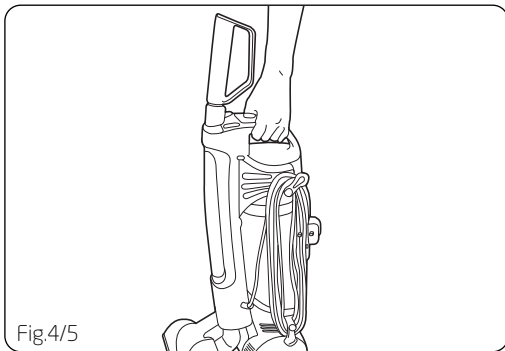


Fig.4/5

5. Dirt Container & Filter: Removal and Replacement

! WARNING: To reduce the risk of injury from moving parts, unplug before servicing.

Press button on top of dirt container lid to remove dirt container (Fig.5/1).

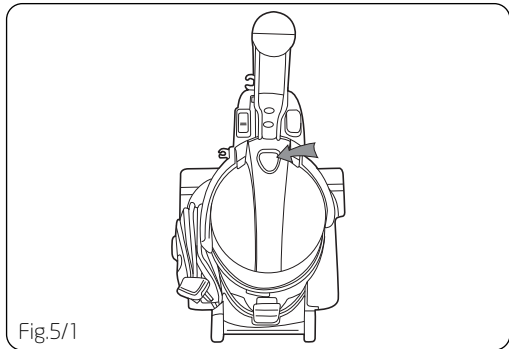


Fig.5/1

Hold dirt container over a bin and press the quick release button on the side of the container to empty (Fig.5/2).

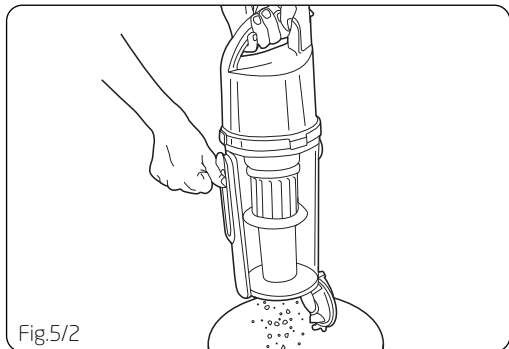


Fig.5/2

To clean the air director, first reach in the dirt container, turn the director clockwise and pull out to remove (Fig.5/3).

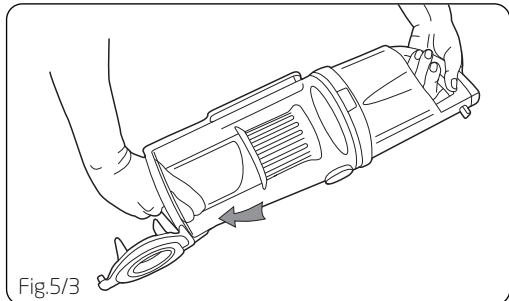


Fig.5/3

www.vax.co.uk

Tap director on inside of rubbish bin to remove excess dust then wipe with a cloth to fully clean (Fig.5/4).

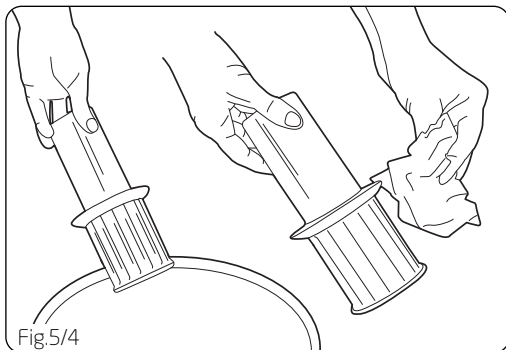


Fig.5/4

Once the director is clean and dry, insert back into dust bin and twist anti-clockwise to lock in place.

To clean filter, remove dirt container lid twist anticlockwise and pull off (Fig.5/5).

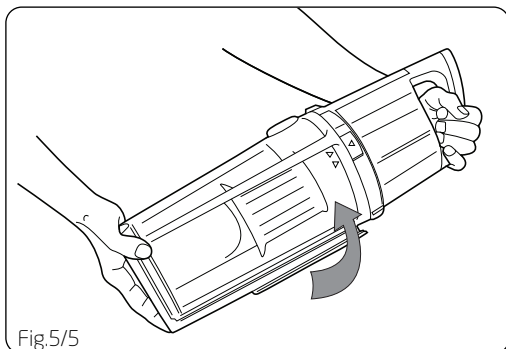


Fig.5/5

The filter is found inside the lid. Twist the filter anticlockwise and pull out to remove (Fig.5/6).

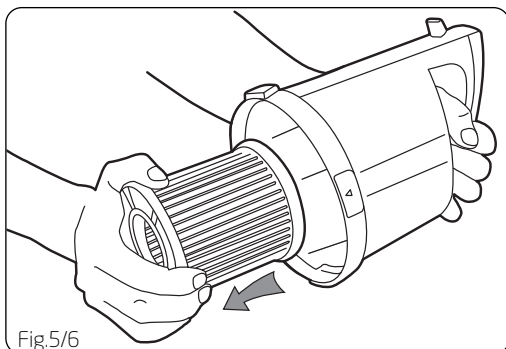


Fig.5/6

Tap filter on inside in bin to remove excess dust (Fig.5/7).

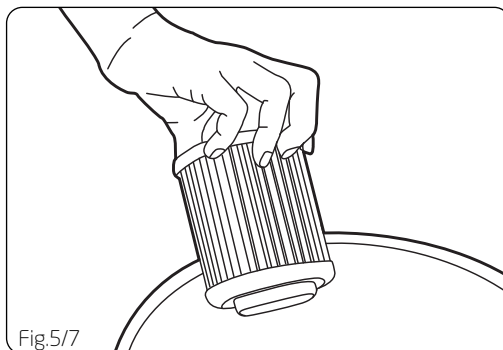


Fig.5/7

To clean, wash under running cold water (Fig.5/8). Allow 24 hours to dry before replacing in the cleaner.

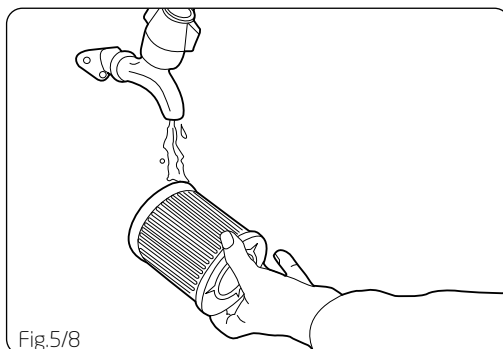


Fig.5/8

Insert filter back into lid and turn clockwise to lock into place. Re-attach lid by placing onto dirt container and turning clockwise until it clicks (Fig.5/9). Return dirt container to cleaner.

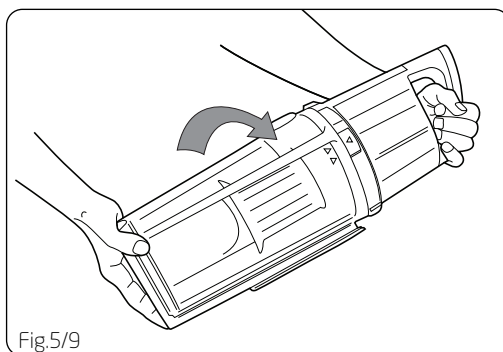


Fig.5/9

6. Brushbar and Belt Replacement

Put the cleaner in the upright position, switch it off and unplug from the mains supply. Flip the cleaner to expose base of vacuuming head. To remove head guard, use a Phillips screwdriver to remove the 4 screws as indicated (Fig.6/1).

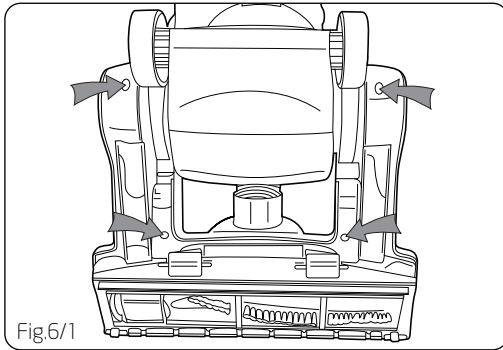


Fig.6/1

Lift vacuuming head guard off.

NOTE: The guard can only be removed / attached when the cleaner is in upright position, but once it has been removed, the cleaner can be laid flat for ease.

Lift and remove brushbar (Fig.6/2). Slide belt off motor shaft and dispose.

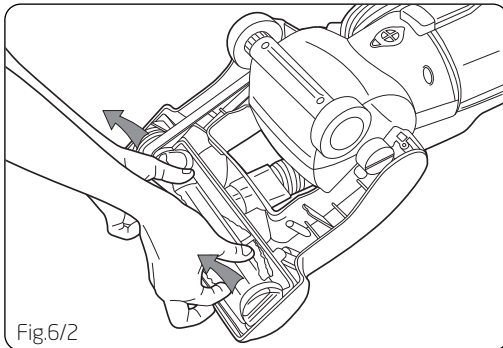


Fig.6/2

Slide new belt onto motor shaft (Fig.6/3). Place new belt in area of brushbar without bristles (Fig.6/4). Slide brushbar back into the slots and re-attach vacuuming head guard, making sure to replace all 4 screws.

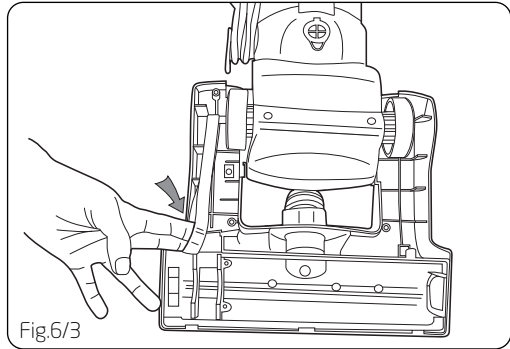


Fig.6/3

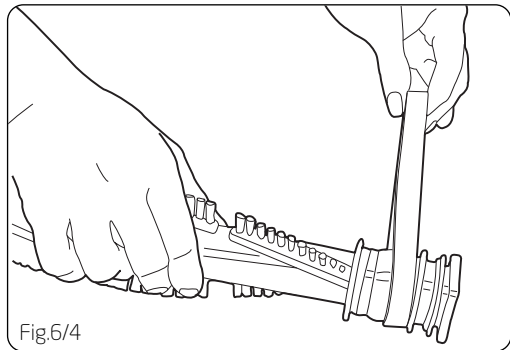


Fig.6/4

7. Clearing a Blockage

Locate the lower hose/inspection tube at the front of the cleaner (Fig.7/1).

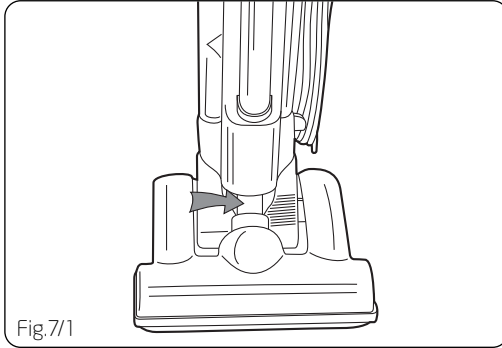


Fig.7/1

Release the handle and lay cleaner flat. Turn the vacuum head hose connector anticlockwise and pull off to release. Remove obstruction (Fig.7/2).

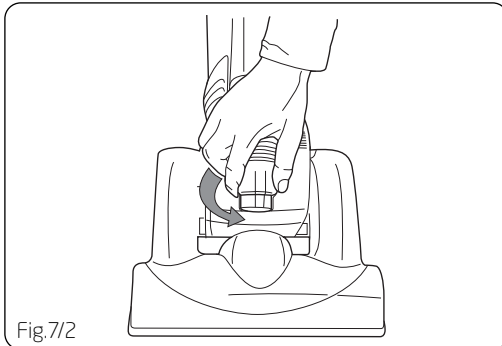


Fig.7/2

Replace inspection tube by re-inserting into the head of the cleaner and turning clockwise (Fig.7/3).

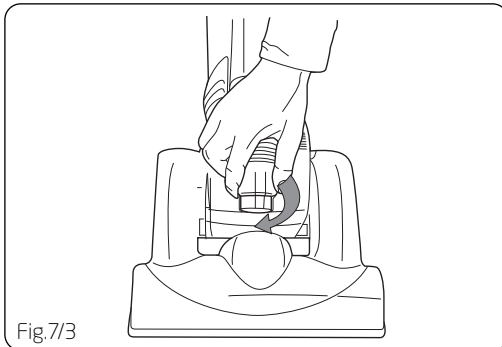


Fig.7/3

8. Troubleshooting

! WARNING: To reduce the risk of personal injury, unplug the vacuum cleaner before performing maintenance or troubleshooting checks.

PROBLEM: Vacuum cleaner won't run

Cause: Not properly plugged into electrical outlet.

Solution: Plug unit in firmly.

Cause: Blown fuse or tripped circuit breaker.

Solution: Check fuse/breaker. Replace fuse or reset breaker.

PROBLEM: Cleaner won't pick up/loss of suction.

Cause: Dirt container not installed correctly.

Solution: Review dirt container removal and replacement.

Cause: Dirt container full or blocked.

Solution: Empty dirt container.

Cause: Brushbar worn.

Solution: Replace brushbar.

Cause: Broken or worn belt.

Solution: Replace belt.

Cause: Clogged filter.

Solution: Remove filter and clean.

Cause: Vacuuming head/brushbar blocked.

Solution: Check vacuuming head/brushbar and remove obstruction/blockage.

Cause: Lower hose clogged.

Solution: Remove lower hose and clear blockage.

PROBLEM: Dust escaping from the vacuum cleaner.

Cause: Dirt container full.

Solution: Empty dirt container.

Cause: Dirt container not installed correctly.

Solution: Review dirt container removal and replacement.

Cause: Hose not installed correctly.

Solution: Review hose installation.

Cause: Filter not installed completely.

Solution: Review filter removal and replacement.

9. UK Service & Help

Vax Care 0870 6061248

Monday-Friday 9.00am to 5.00pm.

An answerphone is available outside of these hours. Any queries or concerns about using the Vax, call the Vax Careline. Calls are charged at the UK national rate.

Please make a note of the serial number and model number of the carpet cleaner before calling. There are over 400 approved Vax Service Agents in the UK. For the nearest Service Agent, please call the Vax Careline.

www.vax.co.uk

10. Technical Specification

Voltage:	220-240V ~50Hz
Wattage:	1300W
Capacity:	1.6l
Filters:	Foam pre-motor and pleated paper HEPA central filters
Cord length:	7.3m
Weight:	5.2kg

Subject to technical change without notice.



www.vax.co.uk

This page has been left intentionally blank

This page has been left intentionally blank



EEC STATEMENT OF COMPLIANCE

Manufacturer/EEC importer: Vax Limited, hereby on our own responsibility, declare that the V-049 Quicklite Compact 2 is manufactured in compliance with the following Directives:

Safety: 73/23/EEC Low Voltage Directive

EMC: 89/336/EEC Electromagnetic Compatibility Directive



Waste electrical products should not be disposed of with household waste. Please recycle where facilities exist. Check with your Local Authority or retailer for recycling advice.

Vax Ltd., Kingswood Road, Hampton Lovett, Droitwich, Worcestershire, WR9 0QH, UK
email: info@vax.co.uk - website: www.vax.co.uk